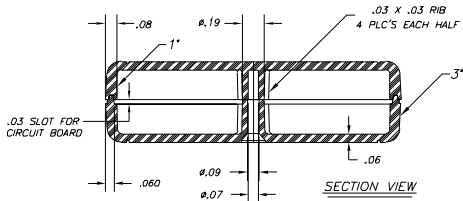
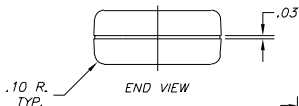
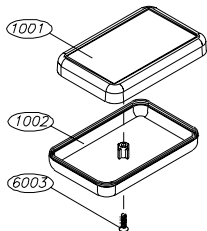
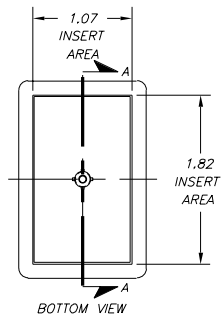
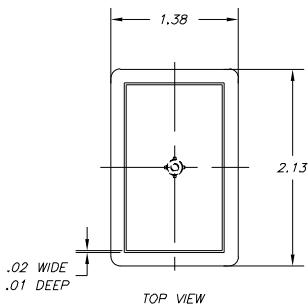
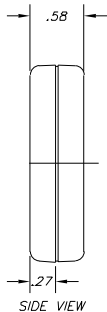


# SERPAC C-4

Electronics Enclosures

**NOTES**

1. WHEN MACHINE OR PLATES MODIFICATIONS ARE REQUIRED, USE THE CENTER OF THE ENCLOSURE TO DIMENSION.



09-07-00

ALL DIMENSIONS ± .010

PART NO.	DESCRIPTION	ACCESSORIES	
		PART NO.	DESCRIPTION
1001	PLASTIC TOP		
1002	PLASTIC BOTTOM		
6003	SCREW	55	KEY HOLDER
		1030	POCKET CLIP